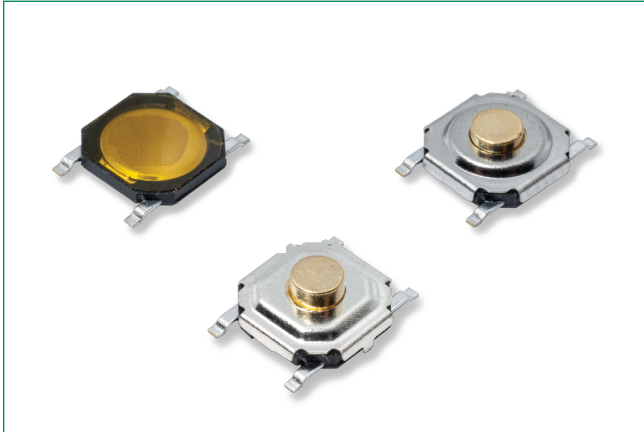




TS-1187 Series Microminiature SMT Top Actuated



Specifications

Function	Momentary action
Contact Arrangement	1 make contact SPST NO
Terminals	J and G type for SMT
Travel	0.25 mm +/- 0.1 mm
Packaging	In reels of 5,000 pieces for 0.8 mm height. In reels of 4,000 pieces for 1.5 ; 1.7 and 2.0 mm height. Dimensions of reels according to EIA 481B. External diameter 330 mm.

Electrical Characteristics

Maximum Voltage	12 VDC
Maximum Current DC	50 mA
Dielectric Strength	250 vA C (1mm)
Contact Resistance	≤ 100 mΩ initial
Insulation Resistance	≥ 100 MΩ
Bounce Time	≤ 10 ms

Environmental Characteristics

Operating Temperature	-40°C to 85°C
------------------------------	---------------

Process

Soldering	This component is suited to the following methods: Infrared Reflow Soldering in accordance with IEC61760-1
------------------	---

Description

The TS1187 series tactile switch is a small 5.2 x 5.2 form factor in SMT version with 4 different heights and 3 available actuation forces, ideal for general usage applications. TS1187 tactile switch also includes ground pin options.

Features & Benefits

- 5.2 x 5.2 mm footprint
- Commercial grade
- Variable thickness

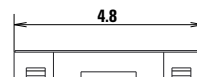
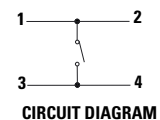
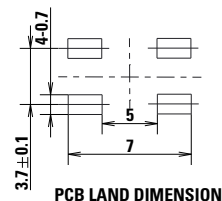
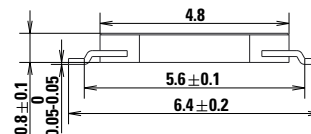
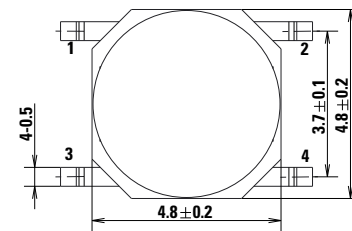
Applications

- IoT devices
- Remote controls
- Home automation

TS-1187 E

Dimensions (mm)

0.8 mm Height – G Leads Lead Only, No Ground Pin

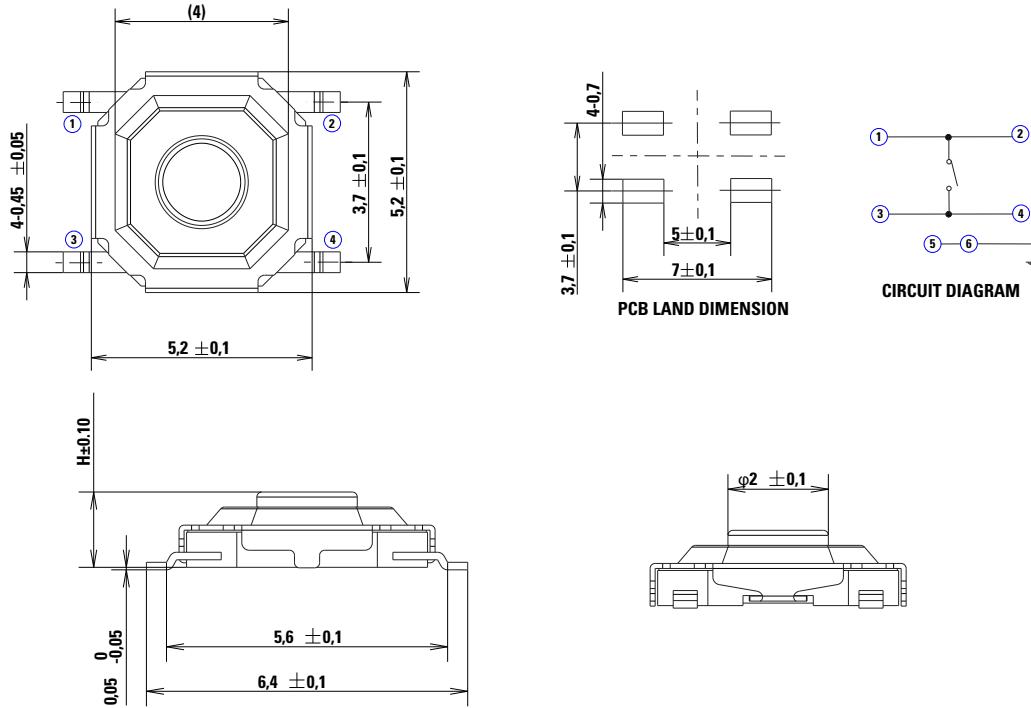




TS-1187 Series
Microminiature SMT Top Actuated

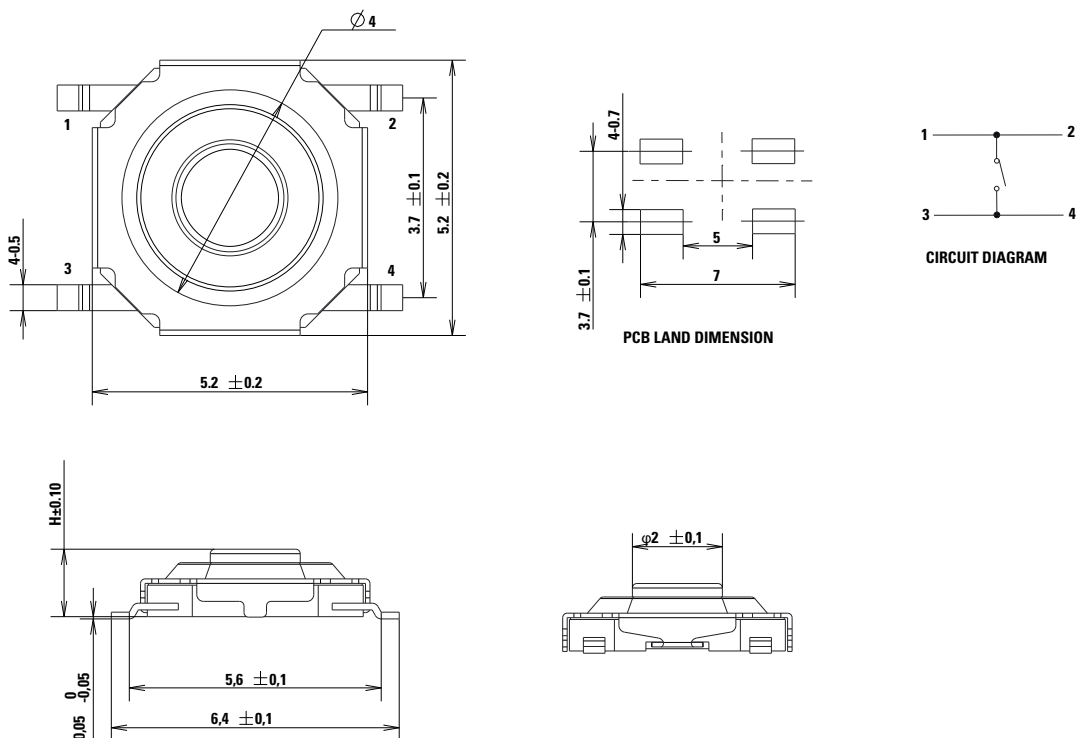
TS-1187 F

1.5 ; 1.7 and 2.0 mm Height – G Leads, with Ground Pin



TS-1187

1.5 ; 1.7 and 2.0 mm Height – G Leads, No Ground Pin

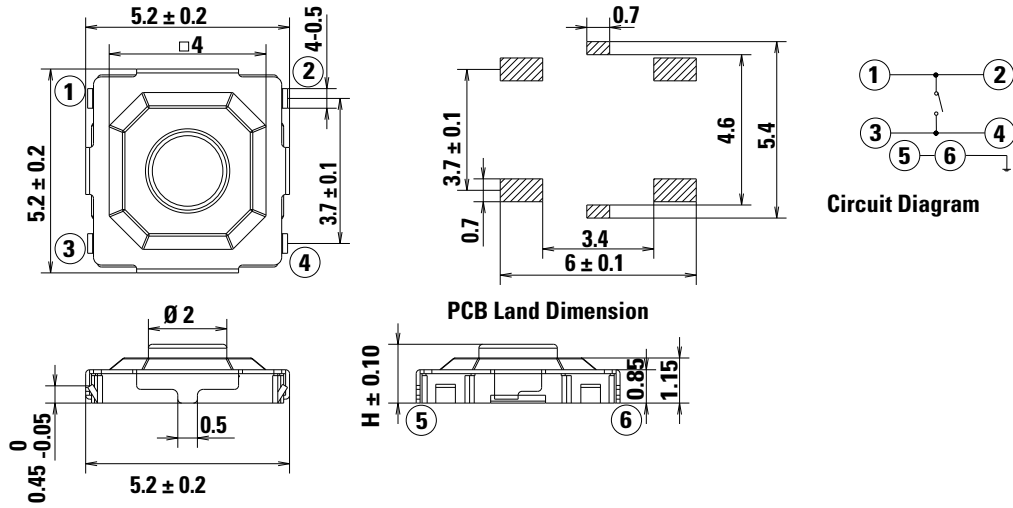




TS-1187 Series
Microminiature SMT Top Actuated

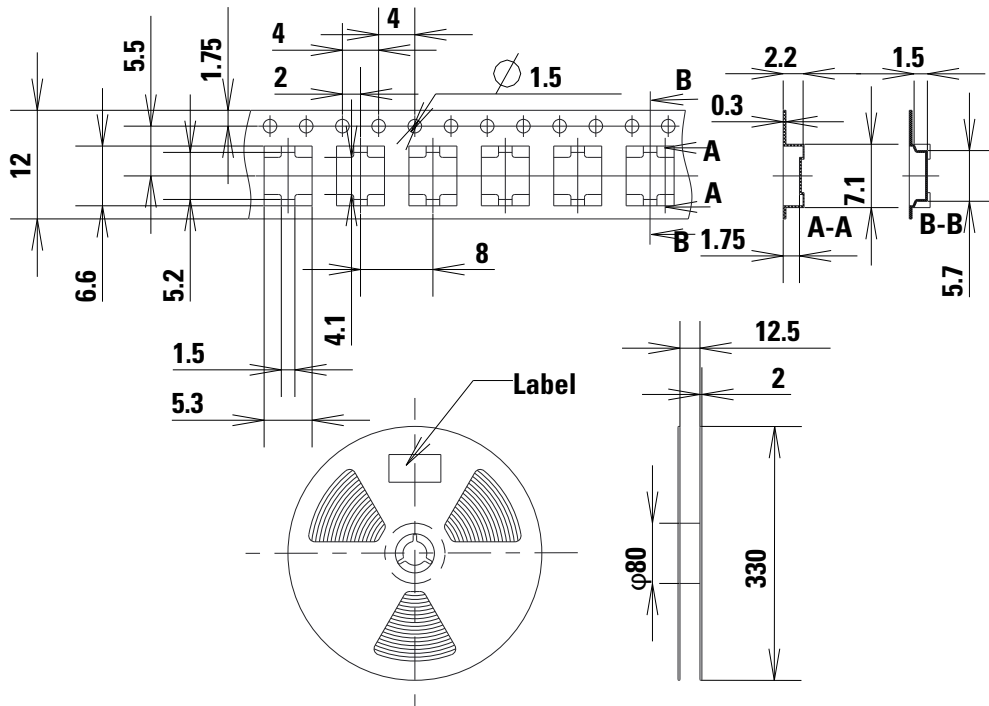
TS-1187 FJ

1.5 ; 1.7 and 2.0 mm height – J leads, with ground pin



Tape & Reel

0.8 mm Height
5,000 Pieces per Reel





TS-1187 Series
Microminiature SMT Top Actuated

1.5;1.6;1.7 mm Height
 4,000 Pieces per Reel

